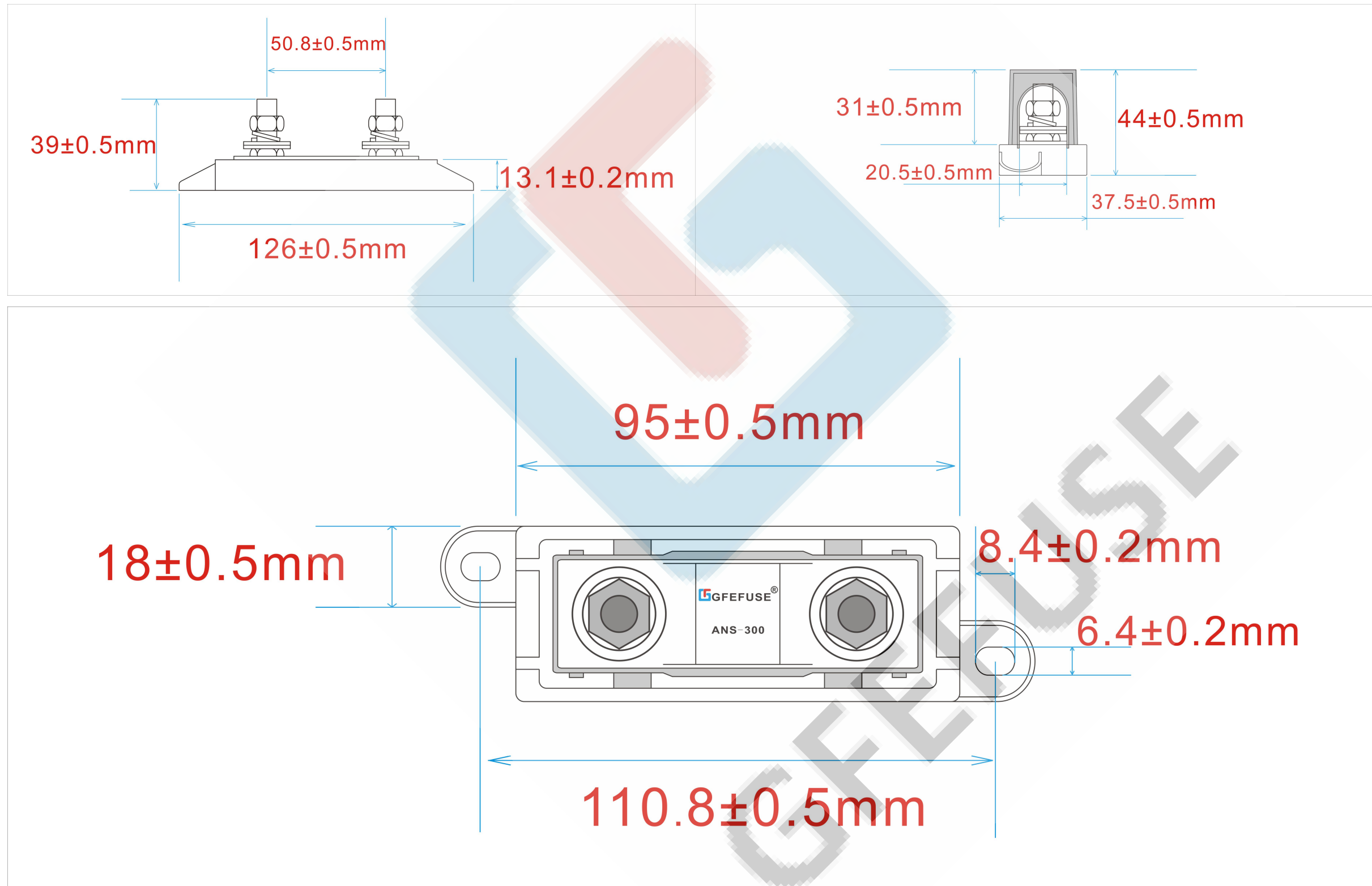


(ANS™-300 Fork Bolt Automotive Fuse Seat (Medium Bolt (Fork Bolt) Automotive Fuse Box))

1. ANS™-300 Product Dimension Diagram



The company has obtained the quality system certification of IATF:16949:2016 automobile industry.
The product has obtained UL CE CQC TUV REACH and many international certification.

(**ANS™-300 Fork Bolt Automotive Fuse Seat (Medium Bolt (Fork Bolt) Automotive Fuse Box)**)

2. Product introduction

- 1. Product model; **ANS™-300** fork bolt automobile fuse seat
- 2. Base: PBT + GF15% V0
- 3. Top cover: PC V0
- 4. Fasteners: 8.8 grade high strength screw, stainless steel nut
- 5. IATF: 16949:2016 quality management system
- 6. Electrical Performance
 - 1.Voltage: 12V-1500V (DC)
 - 2.Current: 30A-400A (DC)
- 7.Applicability: GFEFUSE® Brand (**ANL-B™** Series Medium-sized Fork-bolt Automobile Fuse)
- 8.Utility Patent: **CN201720121619.7**
 - **CN201720121604.0**
- 9.This product uses automobile wiring harness, new energy vehicle control box, DC power supply equipment, power supply, power supply, communication equipment, battery protection circuit, etc.

Tips:Dimension changes are not notified